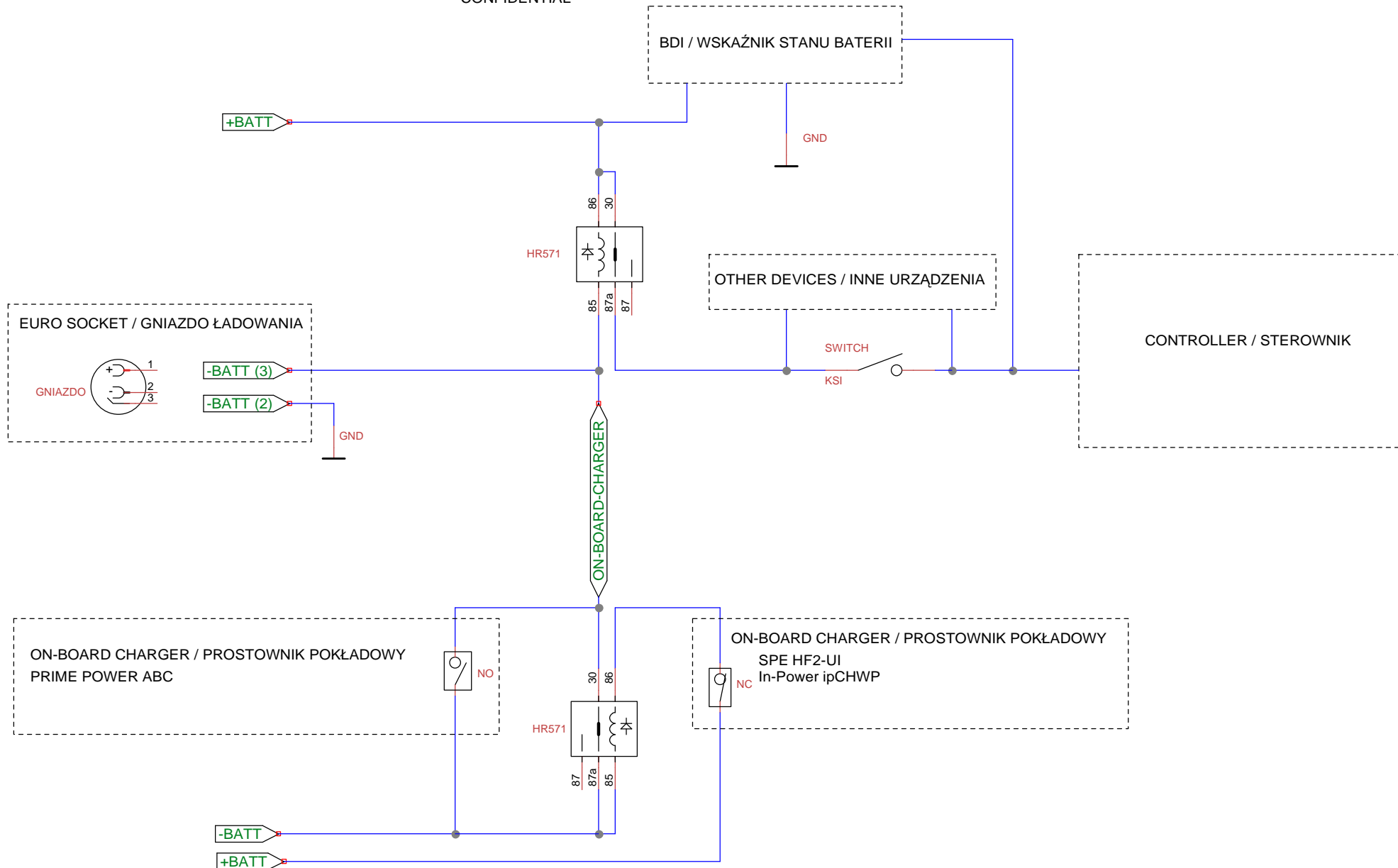


CONFIDENTIAL



NOTE

charger is ON - charger SW is open and 30/87 are open  
 charger is OFF - charger SW is closed and 30/87 are closed

CONFIDENTIAL

|  |          |                  |
|--|----------|------------------|
| Title<br>Charger connections / Podłączenie prostownika |          |                  |
| Author<br>Marek Szlęzak<br>MELEX A&D Tyszkiewicz Sp.J. |          |                  |
| File<br>; and Settings\szlęzak\_my\schematy\_inne.dsn  | Document |                  |
| Revision<br>1.0  | Date     | Sheets<br>1 of 1 |